



APPLICATION and PERFORMANCE SPECIFICATION

ACT3P32ISUNVHE

- Line Voltage: 120-277V 50/60Hz
- Parallel Lamp Operation

- Instant Start
- Active Power Factor Correction

Lamp Type			Min. Start Temp. (F/C)	Vin (V)	Iin (A)	Pin (W)	ATHD ≤%	PF ≥	CF ≤	BF	BEF
Type	No.	Watts									
* F32T8	3	32	0/-18	120	0.91	108	10	0.98	1.7	1.18	1.07
FB32T8	3	32	0/-18	120	0.91	108	10	0.98	1.7	1.18	1.07
FB31T8	3	31	0/-18	120	0.85	101	10	0.98	1.7	1.18	1.15
FB28T8	3	28	0/-18	120	0.78	93	10	0.98	1.7	1.18	1.25
F32T8/ES/30	3	30	0/-18	120	0.84	99	10	0.98	1.7	1.18	1.18
F32T8/ES/28	3	28	0/-18	120	0.78	93	10	0.98	1.7	1.18	1.25
F32T8/ES/25	3	25	0/-18	120	0.72	86	10	0.98	1.7	1.20	1.37
F25T8	3	25	0/-18	120	0.69	81	10	0.98	1.7	1.20	1.45
F17T8	3	17	0/-18	120	0.49	58	10	0.98	1.7	1.23	2.10
F40T8	2	40	32/0	120	0.84	100	10	0.98	1.7	1.26	1.26
F32T8	2	32	0/-18	120	0.69	81	10	0.98	1.7	1.27	1.54
FB32T8	2	32	0/-18	120	0.69	81	10	0.98	1.7	1.27	1.54
FB31T8	2	31	0/-18	120	0.67	80	10	0.98	1.7	1.27	1.57
FB28T8	2	28	0/-18	120	0.59	69	10	0.98	1.7	1.27	1.83
F32T8/ES/30	2	30	0/-18	120	0.64	76	10	0.98	1.7	1.27	1.67
F32T8/ES/28	2	28	0/-18	120	0.59	70	10	0.98	1.7	1.27	1.80
F32T8/ES/25	2	25	0/-18	120	0.56	67	10	0.98	1.7	1.28	1.90
F25T8	2	25	0/-18	120	0.55	65	10	0.98	1.7	1.28	1.96
* F32T8	3	32	0/-18	277	0.39	106	10	0.98	1.7	1.18	1.08
FB32T8	3	32	0/-18	277	0.39	106	10	0.98	1.7	1.18	1.08
FB31T8	3	31	0/-18	277	0.38	101	10	0.98	1.7	1.18	1.16
FB28T8	3	28	0/-18	277	0.34	92	10	0.98	1.7	1.18	1.27
F32T8/ES/30	3	30	0/-18	277	0.37	99	10	0.98	1.7	1.18	1.19
F32T8/ES/28	3	28	0/-18	277	0.34	92	10	0.98	1.7	1.18	1.27
F32T8/ES/25	3	25	0/-18	277	0.32	85	10	0.98	1.7	1.20	1.40
F25T8	3	25	0/-18	277	0.30	81	10	0.98	1.7	1.20	1.46
F17T8	3	17	0/-18	277	0.22	57	10	0.96	1.7	1.23	2.15
F40T8	2	40	32/0	277	0.36	98	10	0.98	1.7	1.26	1.28
F32T8	2	32	0/-18	277	0.30	80	10	0.98	1.7	1.27	1.56
FB32T8	2	32	0/-18	277	0.30	80	10	0.98	1.7	1.27	1.56
FB31T8	2	31	0/-18	277	0.29	79	10	0.98	1.7	1.27	1.60
FB28T8	2	28	0/-18	277	0.26	69	15	0.97	1.7	1.27	1.84
F32T8/ES/30	2	30	0/-18	277	0.28	75	15	0.97	1.7	1.27	1.68
F32T8/ES/28	2	28	0/-18	277	0.26	69	15	0.97	1.7	1.27	1.84
F32T8/ES/25	2	25	0/-18	277	0.25	66	15	0.97	1.7	1.28	1.93
F25T8	2	25	0/-18	277	0.25	65	15	0.97	1.7	1.28	1.96

Note: The above data is tested at 60Hz.

The lamp with “*” is the main lamp.

The ballast BLE can meet DOE energy conservation standards with main lamp.

Application and Performance Specification Information Subject to Change without Notification.



APPLICATION and PERFORMANCE SPECIFICATION

Performance

- Meets ANSI Standard C82.11-2002
- Meets ANSI Standard C62.41-2002
- Meets FCC 18 Non-Consumer limits(277V)
- Meets FCC 18 Consumer limits(120V)
- Meets DOE energy conservation standards

Safety

- No PCB's, Type HL
- UL&cUL listed (Class P, Type 1 Outdoor)
- OCV 600V

Application Physical Parameters

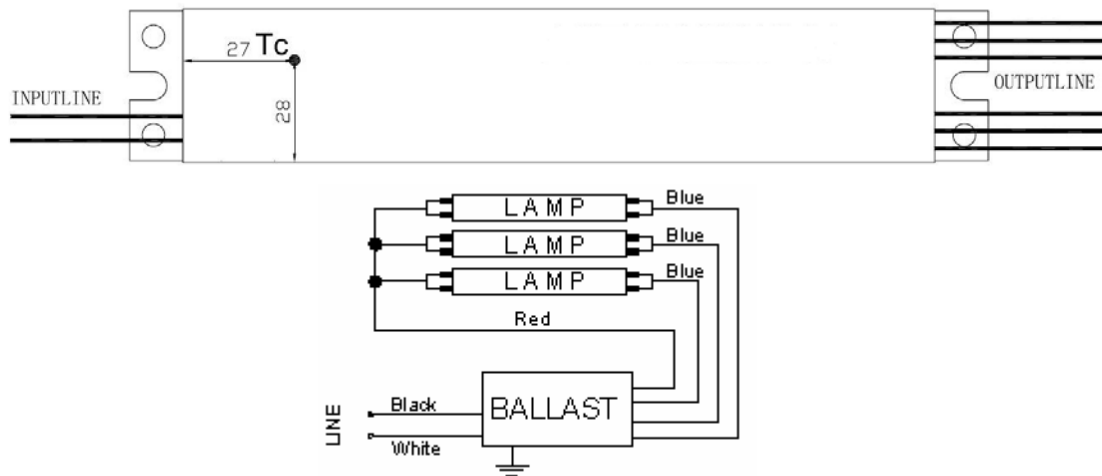
- Remote Mounting: 18 ft. max. Lead length, 18AWG
- Maximum Ambient Temperature: 131°F ,55°C
- Sound Rated: A
- Maximum case temperature Tc: 194°F ,90°C

Physical Parameters:

Length	9.5"
Width	1.3"
Height	1.1"
Mounting	8.9 "
Weight	1.1 lbs

Lead Length

White, Black	25"(±1")
Red	46"(±1")
Blue	31"(±1")



Note: For two lamps application, cap any blue lead. Insulate to 600 volts.