



APPLICATION and PERFORMANCE SPECIFICATION

ACT2P59ISUNVL

- Line Voltage: 120-277V 50/60Hz
- Instant Start
- Parallel Lamp Operation
- Active Power Factor Correction

Lamp Type			Min. Start Temp. (F/C)	Vin (V)	Iin (A)	Pin (W)	ATHD ≤%	PF ≥	CF ≤	BF	BEF
Type	No.	Watts									
F96T8	2	59	32/0	120	0.82	98	10	0.98	1.7	0.75	0.77
F96T8	1	59	32/0	120	0.51	61	10	0.98	1.7	0.80	1.31
F96T8	2	59	32/0	277	0.35	96	10	0.98	1.7	0.75	0.80
F96T8	1	59	32/0	277	0.23	61	10	0.98	1.7	0.80	1.31

Note: The above data is tested at 60Hz. Application and Performance Specification Information Subject to Change without Notification.

The ballast BLE can meet DOE energy conservation standards with main lamp.

Performance

- Meets ANSI Standard C82.11-2002
- Meets ANSI Standard C62.41-2002
- Meets FCC 18 Non-Consumer limits
- Meets DOE energy conservation standards

Application Physical Parameters

- Remote Mounting: 18 ft. max. Lead length, 18AWG
- Maximum Ambient Temperature: 131°F, 55°C
- Sound Rated: A
- Maximum case temperature Tc: 194°F, 90°C

Safety

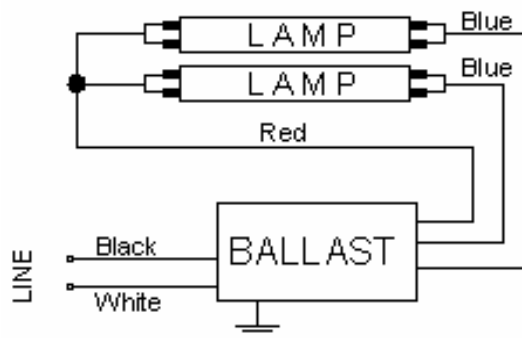
- No PCB's, Type HL
- UL&cUL listed (Class P, Type 1 Outdoor)
- OCV: 1000V
- Voltage to ground: 600V

Physical Parameters:

Length	9.5"
Width	1.3"
Height	1.1"
Mounting	8.9"
Weight	1.1 lbs

Lead Length

White, Black	25"(±1")
Red	79"(±1")
Blue	46"(±1")



Note: For one lamp application, cap any blue lead. Insulate to 600 volts.