


## ACT2S54PS-P (E)

Line Voltage: 220~240Vac 50/60Hz  
 Safety Voltage: 187~264Vac 50/60Hz  
 EEI=A2  
 High Power Factor, Low ATHD  
 Preheat Starting  
 Auto Reset after Lamp Replacement  
 Operating Frequency: 40~50 kHz

RoHS Compliance  
 Lamp switching  $\geq 50000$  cycles  
 End of Lamp Life Protection  
 Abnormal Protection  
 U-out=280V  
 Tc(max): 65°C  
 Ta(max): 50°C

Lamp Type	Qty of Lamps	Mini. Start Temp (°C)	Input Current (A)	Input Wattage (W)	Power Factor	ATHD (%)	CF	Ballast Factor
T5-E 54W	2	-20@175V	0.5	112	0.99	$\leq 10$	$\leq 1.70$	0.95
T5-E 54W	1	-20@175V	0.28	59	0.98	$\leq 10$	$\leq 1.70$	0.95

Application and Performance Specification Information Subject to Change Without Notification

### Standards

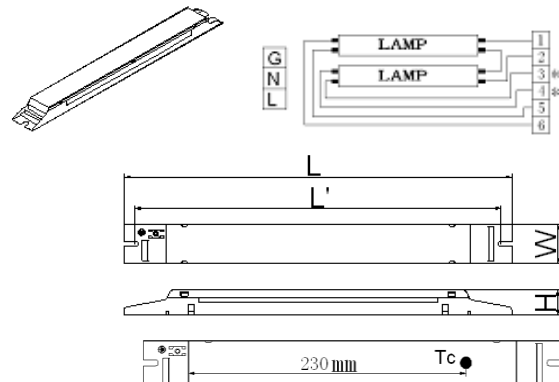
IEC61347-1, IEC61347-2-3  
 IEC60929  
 IEC61000-3-2  
 EN55015 (CISPR15)  
 EN61547

### Safety

No PCB's  
 CE, CCC  
 Sound Rated: A

### Physical Parameters

Overall Length (L): 358 ± 1 mm  
 Width (W): 30 ± 1mm  
 Height (H): 25 ± 1mm  
 Mounting Length (L'): 342 ± 1mm  
 Weight: 255g



### Caution

Install in accordance with the national electrical code; Disconnect power before serving; Use single solid copper wire (cross section area is 0.5~1.0mm<sup>2</sup>, stripped to 7.0~8.5mm) to connect ballast and lamp.

### Warranty:

Arcata electronics Inc warrants that each electronic ballast will be free from defects in material or workmanship including replacement for 5 years from the date of manufacture when properly installed and under normal condition use.