

# Product Specification Sheet

## ACT1P36RS-A2

Line Voltage: 220~240Vac 50/60Hz  
 Safety Voltage: 187~264Vac 50/60Hz  
 EEI=A2  
 High Power Factor  
 Operating Frequency: 42~52kHz  
 Rapid start

Auto Reset after Lamp Replacement  
 RoHS Compliance  
 Abnormal Protection  
 U-out=280V  
 Tc(max): 65°C  
 Ta(max): 50°C

Lamp Type	Qty of Lamps	Mini. Start Temp (°C)	Input Current (A)	Input Wattage (W)	Power Factor	ATHD (%)	CF	Ballast Factor
T8 36W	1	-15@198V	0.16	36	0.98	20	<1.70	1.0

Application and Performance Specification Information Subject to Change Without Notification

### Standards

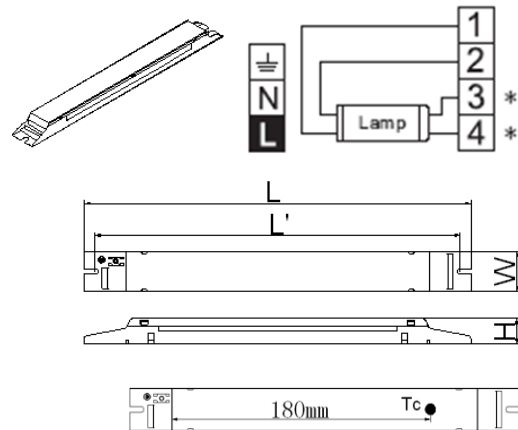
IEC61347-1  
 IEC61347-2-3  
 IEC61000-3-2  
 EN55015 (CISPR15)  
 EN61547

### Safety

No PCB's  
 CE  
 Sound Rated: A

### Physical Parameters

Overall Length (L): 290 ± 1 mm  
 Width (W): 29.8 ± 1mm  
 Height (H): 20 ± 1mm  
 Mounting Length (L'): 274 ± 1mm  
 Weight: 155g



### Caution

Install in accordance with the national electrical code; Disconnect power before serving; Use single solid copper wire (cross section area is 0.5~1.0mm<sup>2</sup>, stripped to 7.5~8.5mm) to connect ballast and lamp.

### Warranty:

Arcata electronics Inc warrants that each electronic ballast will be free from defects in material or workmanship including replacement for 3 years from the date of manufacture when properly installed and under normal condition use.